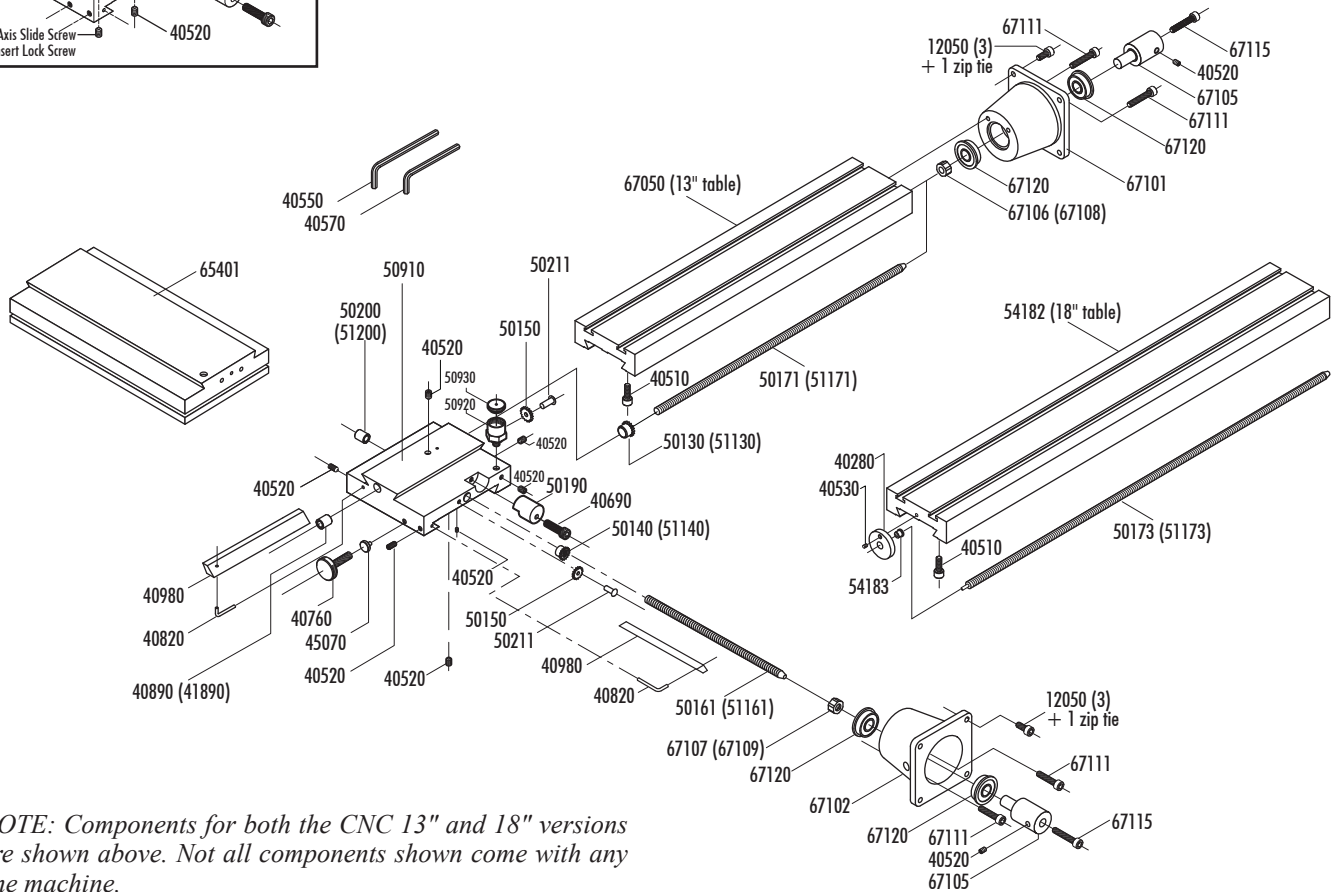
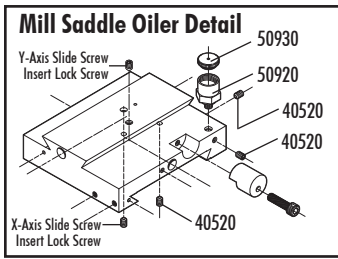


6545, 6545-18 CNC SLIDES—EXPLODED VIEW



NOTE: Components for both the CNC 13" and 18" versions are shown above. Not all components shown come with any one machine.

Parts List

| NO. REQ. | PART NO. | DESCRIPTION | NO. REQ. | PART NO. | DESCRIPTION |
|----------|----------|----------------------------------------------------|----------|----------|---------------------------------------------------|
| 6 | 12050 | 8-32 x 3/8" socket head cap screw (+ 2 zip ties) | 1 | 50173 | 18" X-axis leadscrew, inch (P/N 51173, metric) |
| 1 | 40280 | Thrust collar (18" table only) | 1 | 50190 | Table lock |
| 6 | 40520 | 10-32 x 3/16" socket head cap screw | 1 | 50200 | Y-axis slide screw nut, inch (51200, metric) |
| 2 | 40510 | 10-32 x 3/8" socket head cap screw | 2 | 50211 | Button head socket head screw |
| 1 | 40530 | 5-40 X 3/8" socket head cap screw (18" table only) | 1 | 50910 | Mill saddle |
| 1 | 40550 | 5/32" hex key | 1 | 54182 | 18" mill table |
| 1 | 40570 | 3/32" hex key | 1 | 54183 | 18" Table leadscrew bushing |
| 2 | 40600 | 10-32 X 1/4" Flat PT Set Screw | 1 | 65401 | Industrial X/Y base |
| 1 | 40690 | 10-32 x 3/4" socket head cap screw | 2 | 67102 | Stepper motor mounts |
| 1 | 40760 | Thumbscrew | 1 | 67050 | 13" mill table |
| 2 | 40820 | Gib lock | 2 | 67105 | CNC coupling |
| 1 | 40890 | X-axis slide screw nut, inch (P/N 41890, metric) | 1 | 67106 | X-axis preload nut (RH), inch (P/N 67108, metric) |
| 2 | 40980 | Gib | 1 | 67107 | Y-axis preload nut (LH), inch (P/N 67109, metric) |
| 1 | 45070 | Teflon® lock | 4 | 67111 | 8-32 x 3/4" socket head cap screw |
| 1 | 50130 | X-axis anti-backlash nut, inch (P/N 51130, metric) | 2 | 67115 | 5-40 x 7/8" socket head cap screw |
| 1 | 50140 | Y-axis anti-backlash nut, inch (P/N 51140, metric) | 4 | 67120 | CNC preload bearing |
| 2 | 50150 | Star gear | | | |
| 1 | 50161 | Y-axis leadscrew, inch (P/N 51161, metric) | | | |
| 1 | 50171 | X-axis leadscrew, inch (P/N 51171, metric) | | | |