

# How Sherline WW Collet Thread and Barrel Dimensions Compare to other Watchmaker Collets

## About Sherline WW Collets

Our Sherline WW collets have a thread that is  $.275-40$  and a barrel diameter that is  $.3120'' - .3125''$  ( $7.025 - 7.9375\text{mm}$ ).

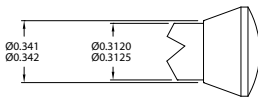
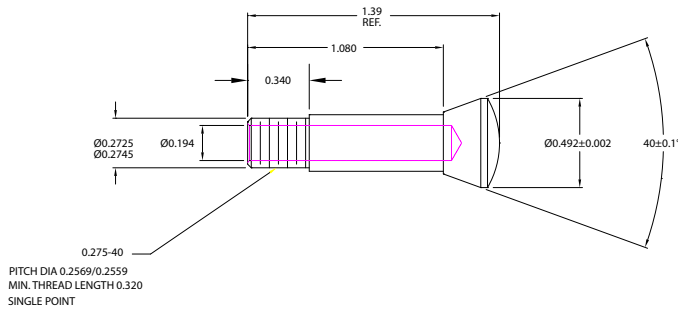


FIGURE 1— Sherline WW Collet print.

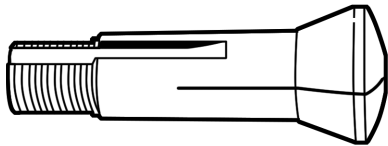


FIGURE 2—A typical WW collet. Sherline collets come in sizes from 0.3 mm to 8.0 mm by 0.1 mm increments or from 1/64" to 5/16" by 1/64" increments.

Our drawbar tube will work with all of the collets listed below. However, the fit will be loose on the threads of the collets that have a  $.268-40$  thread.

If you are using the Starrett collets, our WW Collet adapter P/N 11580 will work. On all other collets you will need to purchase our P/N 11560 (8mm Collet Adapter).

## WW Collet Comparison

1. Starrett WW collets have the same barrel and a thread size as our Sherline collets.
2. Levin WW collets have the same thread size, but their barrel diameter is  $.3147''$  ( $7.993\text{mm}$ )
3. Wolf-Jahn has a thread size of  $.275-40$  with a barrel diameter of  $8\text{mm}$  ( $.315''$ )
4. I.M.E. has a thread size of  $.275-40$  with a barrel diameter of  $8\text{mm}$  ( $.315''$ )
5. Lorch has a thread size of  $.275-40$  with a barrel diameter of  $8\text{mm}$  ( $.315''$ )
6. Adams has a thread size of  $.268-40$  with a barrel diameter of  $8\text{mm}$  ( $.315''$ )
7. Boley has a thread size of  $.268-40$  with a barrel diameter of  $8\text{mm}$  ( $.315''$ )
8. Boley-Leinen has a thread size of  $.268-40$  with a barrel diameter of  $8\text{mm}$  ( $.315''$ )
9. Coronet has a thread size of  $.268-40$  with a barrel diameter of  $8\text{mm}$  ( $.315''$ )
10. Derbyshire has a thread size of  $.268-40$  with a barrel diameter of  $8\text{mm}$  ( $.315''$ )
11. Pultra has a thread size of  $.268-40$  with a barrel diameter of  $8\text{mm}$  ( $.315''$ )

Thank you,  
Sherline Products Inc.